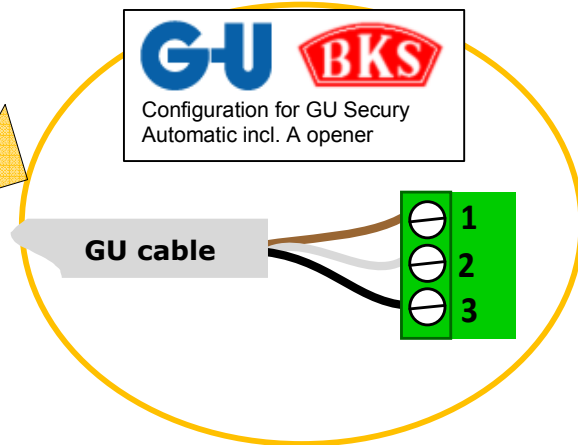
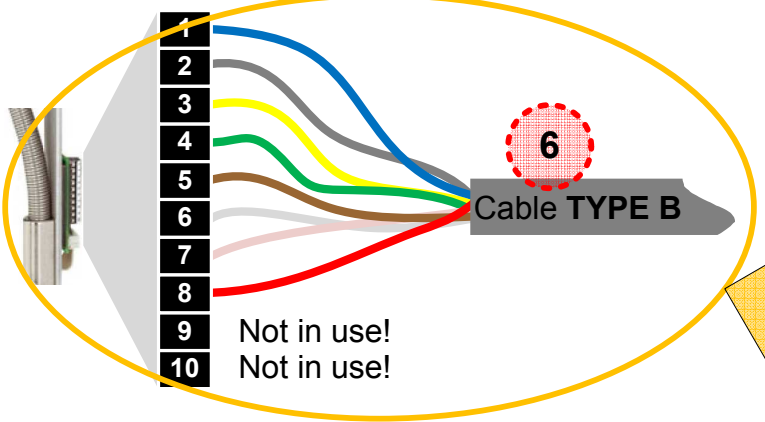


Legend cable TYPE A (4-corex0.14)

green	RS485 (clamp 1)
yellow	RS485 (clamp 2)
brown	Voltage (clamp 3)
white	Voltage (clamp 4)



Subject to optical and technical modifications, any liability for misprints excluded!



Legend cable TYPE B (8-corex0.14)

blue	Switching input 1
grey	Switching input 2
yellow	RS485 (clamp 2)
green	RS485 (clamp 1)
brown	(-) VCC (clamp 3)
white	(+) VCC (clamp 4)
pink	Relay 2 C
red	Relay 2 NO/NC

ekey components list

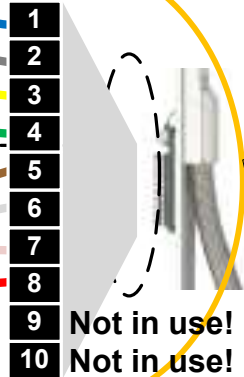
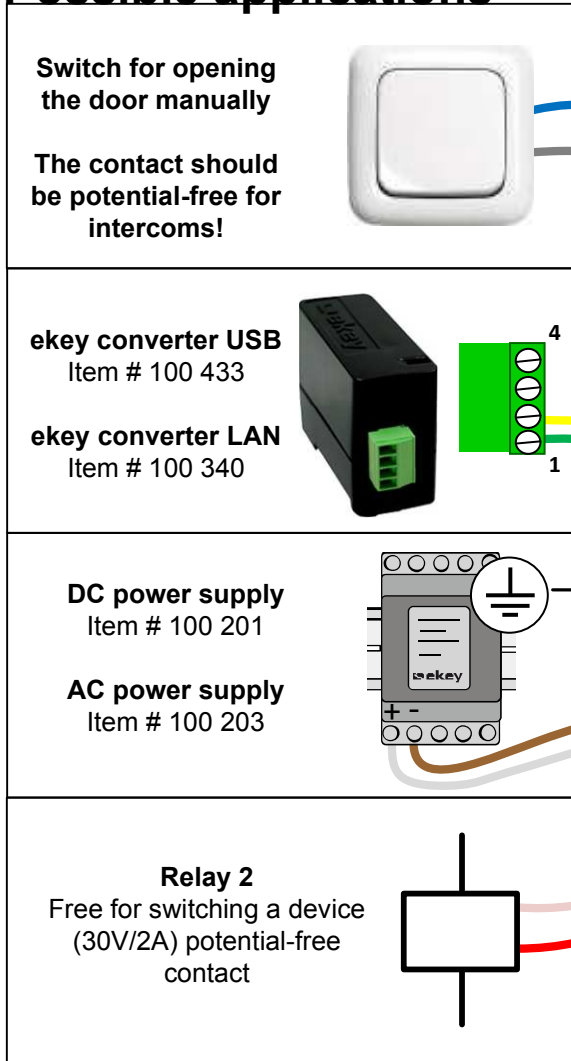
1	ekey home flnger scanner integra	4	GU cable
2	ekey home control panel integra	5	Cable type A
3	eff eff cable transfer	6	Cable type B

Legend GU cable

green	(+) Switch (3)
grey (blue)	(-) Gnd (2)
brown	(+) VCC (1)

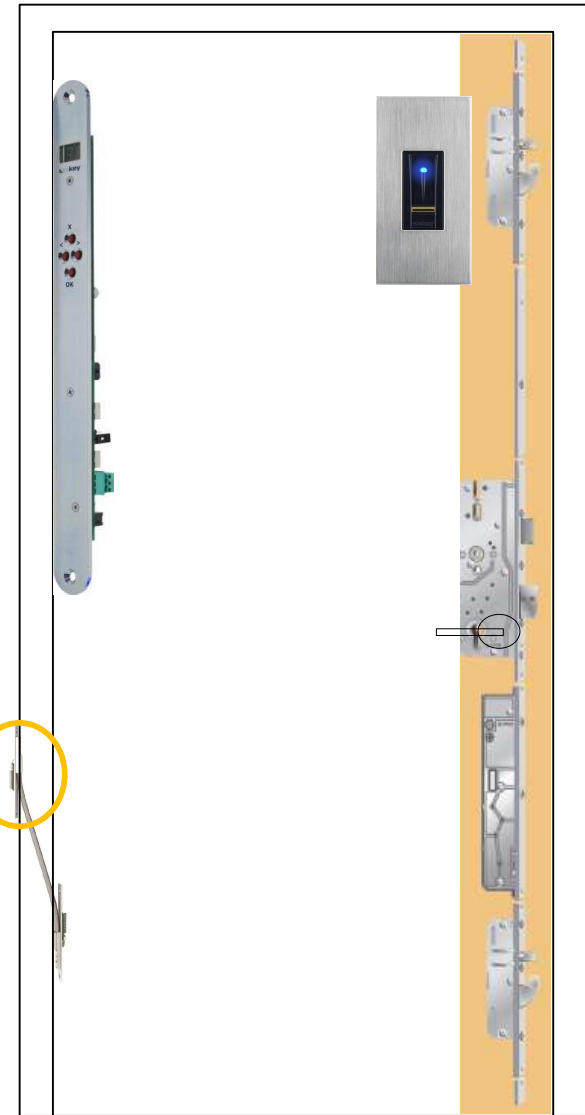
Possible applications

Legend cable TYPE B (8-corex0.14)		
blue		Switching input 1
grey		Switching input 2
yellow		RS485 (clamp 2)
green		RS485 (clamp 1)
brown		(-) VCC (clamp 3)
white		(+) VCC (clamp 4)
pink		Relay 2 C
red		Relay 2 NO/NC



If the cable length is **greater than 10m**, then it is recommended to use a shielded cable e.g. type B (LiYCY)!

BEWARE!
Idle leads should be insulated separately!



GU Security Automatic

Subject to optical and technical modifications, any liability for misprints excluded!