

## Data sheet 100891

### ekey power supply 100891 24VDC / 2A



#### Manufacturer's Guarantee

ekey biometric systems ('ekey') guarantees, under conditions which can found in details on our homepage [www.ekey.net](http://www.ekey.net),

**24 months from the date of purchase**

the lack of material or processing defects. The guarantee shall remain exclusively valid in that country in which the product was sold to you.

#### FURTHER INFORMATION

Visit the website of ekey biometric systems at:

[www.ekey.net](http://www.ekey.net)

There you can find the most up-to-date version of this document, as well as other additional information about this and other ekey biometric systems products.

If you have any technical problems, please call our support team at:

<b>Austria and international:</b>	<b>+43 732 890 500 1000</b>
<b>Germany:</b>	<b>+49 6187 90696 28</b>
<b>Switzerland:</b>	<b>+423 235 0880</b>

Our entire team will be happy to provide you with further assistance.

**Please pay attention to the wiring diagrams of the locking systems manufactured by various other suppliers. Please check the download section/manuals under [www.ekey.net](http://www.ekey.net).**



ekey biometric systems GmbH  
Lunzerstraße 89  
4030 Linz

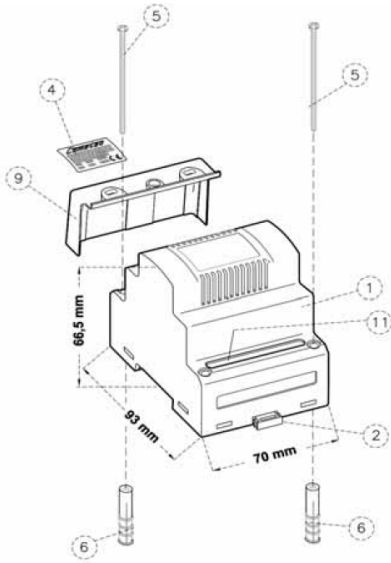
ID38: 801265: Version 1 dated 12.2.2010

**Subject to optical and technical modifications, any liability for misprints excepted!**



801265

## General



### Power supply 100891

The power supply 100891 is meant to be mounted on a DIN rail. At an input voltage of 230 VAC the output voltage will be 24VDC / 2A.

1	Housing 4M(HP)	6	Wall plug/anchor (not supplied)
2	DIN rail	9	Cover
4	Label	10	Potentiometer
5	Screw for wall fixing (not supplied)	11	Signal LED

## Applied standards and guidelines

Safety standards compliant with EN 60 950.

Electromagnetic compatibility compliant with EN 55022/B and EN61000-4.

## Technical data

Description	Value	Unit
<b>General information</b>		
Operating temperature	-5 to +50	°C
Relative Humidity	90	% (max)
MTBF	~100.000	h
Weight	180	g
Housing for DIN rail installation	RAL7035	
IP class	IP00	
Dimensions L x W x H	52,5 x 93 x 68,5	mm
<b>Input</b>		
Voltage~	230 ± 10%	V~
Frequency	48-63	Hz
Voltage=	280 - 350	V=
<b>Output</b>		
Output voltage at rated input	24	V=
Output current	2	A
Nominal electrical power	48	VA
Minimum load	0	A
Overload protection	electronically 2.3	A
Short circuit protection	electronically 2.4	A
Output voltage tolerance	±3	%
Residual ripple	40	mVpp

**Important note:** When using the power supply in combination with the „KfV – Genius“ locking system, the manufacturer recommends to connect on the secondary side **DC- (Gnd)** with the **ground potential!** Pay attention not to create any grounding loops! Additionally, this wiring will only correspond to protection class I (not protection class II anymore).