

ekey power supply 100205 12VDC / 2A



Manufacturer's Guarantee

ekey biometric systems ('ekey') guarantees, under conditions which can found in details on our homepage www.ekey.net,

24 months from the date of purchase

the lack of material or processing defects. The guarantee shall remain exclusively valid in that country in which the product was sold to you.

FURTHER INFORMATION

Visit the website of ekey biometric systems at:

www.ekey.net

There you can find the most up-to-date version of this document, as well as other additional information about this and other ekey biometric systems products.

Please pay attention to the wiring diagrams of the locking systems manufactured by various other suppliers. Please check the download section/manuals under www.ekey.net.



ekey biometric systems GmbH
Lunzerstraße 89
4030 Linz

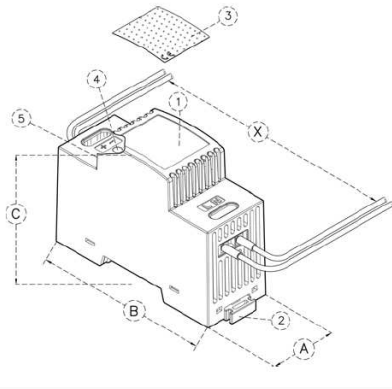
ID33: 800821: Version 1 dated 6.5.2011

Subject to optical and technical modifications, any liability for misprints excepted!



800921

General



Power supply 100205

The power supply 100205 is meant to be mounted on a DIN rail. With an input voltage range from 100 to 240VAC, the output voltage will be 12V / 2A.

1	Case 2M	5	Signal - Led
2	clamping spring		
3	Label		
4	Potentiometer		

Applied standards and guidelines

Safety standards compliant with EN 60950.

Electromagnetic compatibility compliant with EN 55022/B and EN61000-4.

CE European directives 2006/95/ECC - 80/336

Technical data

Description	Value	Unit
General information		
Operating temperature	-10 to +50	°C
Relative Humidity	90	% (max)
MTBF	~100.000	h
Weight	150	g
Housing for DIN rail installation	RAL7035	
IP protection class	IP20	
Dimensions A x B x C	35 x 93 x 68,5	mm
Input		
Voltage~	100 / 240	V~
Frequency	48-63	Hz
Output		
Output voltage at rated input	12	V=
Output current	2	A
Nominal electrical power	24	VA
Minimum load	0	A
Overload limitation	2,7	A
Short circuit current	3,2	A
Output voltage tolerance	±3	%
Residual ripple	60	mVpp