

## Data sheet 100203

### ekey power supply 100203 12VAC / 1.5A



#### Manufacturer's Guarantee

ekey biometric systems ('ekey') guarantees, under conditions which can be found in details on our homepage [www.ekey.net](http://www.ekey.net),

**24 months from the date of purchase**

the lack of material or processing defects. The guarantee shall remain exclusively valid in that country in which the product was sold to you.

#### FURTHER INFORMATION

Visit the website of ekey biometric systems at:

[www.ekey.net](http://www.ekey.net)

There you can find the most up-to-date version of this document, as well as other additional information about this and other ekey biometric systems products.

If you have any technical problems, please call our support team at:

<b>Austria and international:</b>	<b>+43 732 890 500 1000</b>
<b>Germany:</b>	<b>+49 6187 90696 28</b>
<b>Switzerland:</b>	<b>+423 235 0880</b>

Our entire team will be happy to provide you with further assistance.

**Please pay attention to the wiring diagrams of the locking systems manufactured by various other suppliers. Please check the download section/manuals under [www.ekey.net](http://www.ekey.net).**



ekey biometric systems GmbH  
Lunzerstraße 89  
4030 Linz

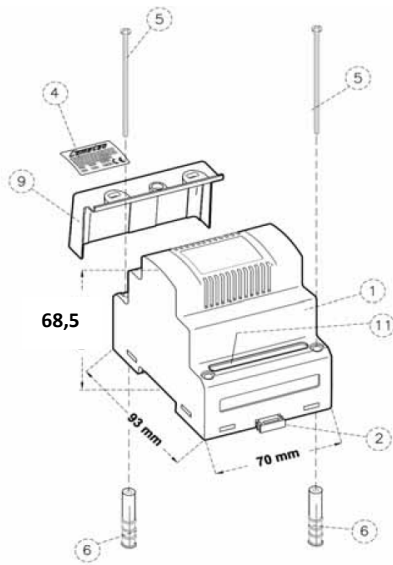
ID36: 801263: Version 1 dated 12.2.2010

**Subject to optical and technical modifications, any liability for misprints excepted!**



801263

## General



### Power supply 100203

The power supply 100203 supplies at an input voltage of 230V an output voltage of 12VAC/1,5A. The transformer is protected against excessive load by a PTC element.

1	Housing 3M(HP)	5	Screw for wall fixing (not supplied)
2	DIN rail	6	Wall plug/anchor (not supplied)
4	Label	9	Cover

## Applied standards and guidelines

Safety standards compliant with EN 61 558.

Electromagnetic compatibility compliant with EN 55022/B and EN61000-4.

## Technical data

Description	Value	Unit
<b>General information</b>		
Operating temperature	-20 to +50	°C
Relative humidity	90	% (max)
MTBF	~250 000	h
Weight	380	g
Housing for DIN rail mounting	RAL7035	
IP class	IP00	
Dimensions L x W x H	52,5 x 93 x 68,5	mm
<b>Input</b>		
Voltage	207 – 253	V~
Frequency	48-63	Hz
<b>Output</b>		
Output voltage at rated input	12	V~
Off-load voltage at 230V~	14,3	V~
Output current	1,5	A
Nominal electrical power	18	VA
Minimum load	0	A
Overload protection	PTC	