

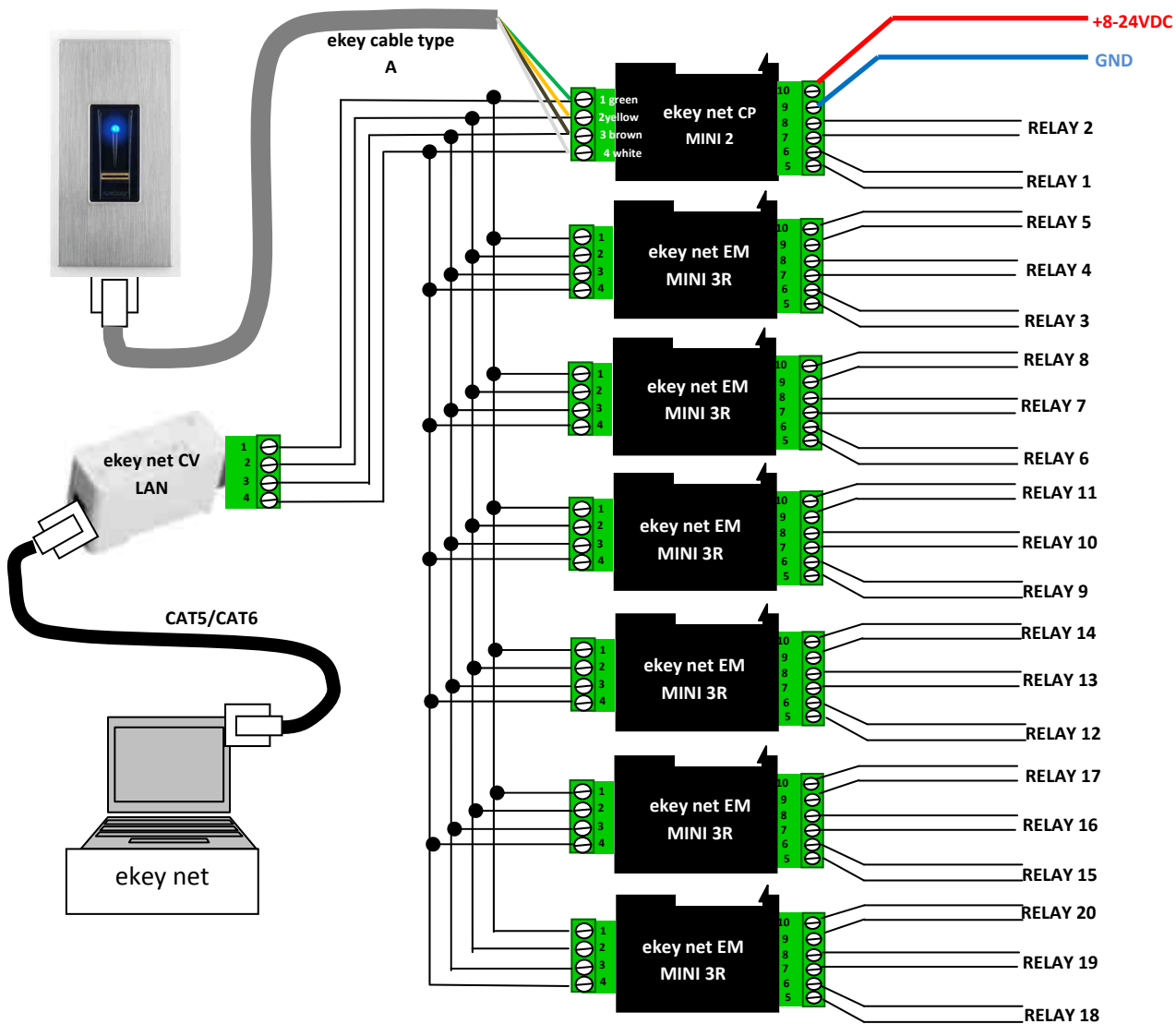
ekey net composite control panels

By means of a so-called **ekey net composite control panel**, the number of switchable relays can be increased to **maximum 28 relays** (7 x ekey net CP DRM 4).

Such a composite control panel can only be made up of control panels using the same **ekey net CV LAN**. The maximum number of 8 devices (1 finger scanner + 7 control panels) per RS-485-bus also applies in this case.

Either **the ekey net CP mini 1** or **ekey net CP mini 2** or **ekey net CP DRM 4** serve as the base for the composite control panel. Those can then be extended with the required **ekey net EM mini 3** (attention: only in combination with an above-mentioned control panel!) or **ekey net CP DRM 4**.

Example with **ekey net CP mini 2** and **ekey net EM 3** - totally 20 available relays:



Fields of application:

elevators, lockers, lockboxes etc.