

Subject to optical and technical modifications, any liability for misprints excluded!

| Legend cable TYPE B (8-corex0.14) | | |
|-----------------------------------|--|-----------------|
| yellow | | RS485 (clamp 2) |
| green | | RS485 (clamp 1) |
| red | | Relay 2 NO/NC |
| blue | | Relay 2 C |

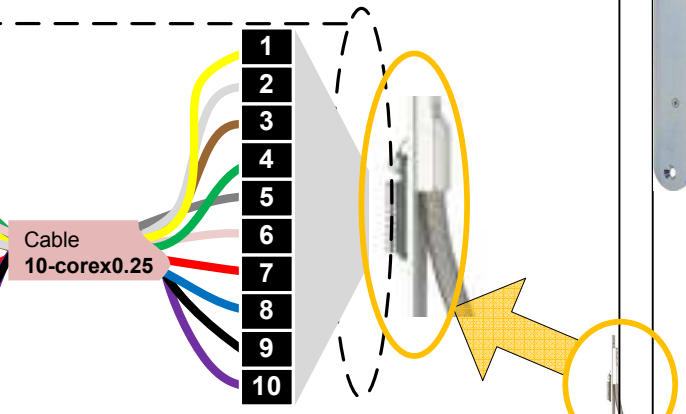
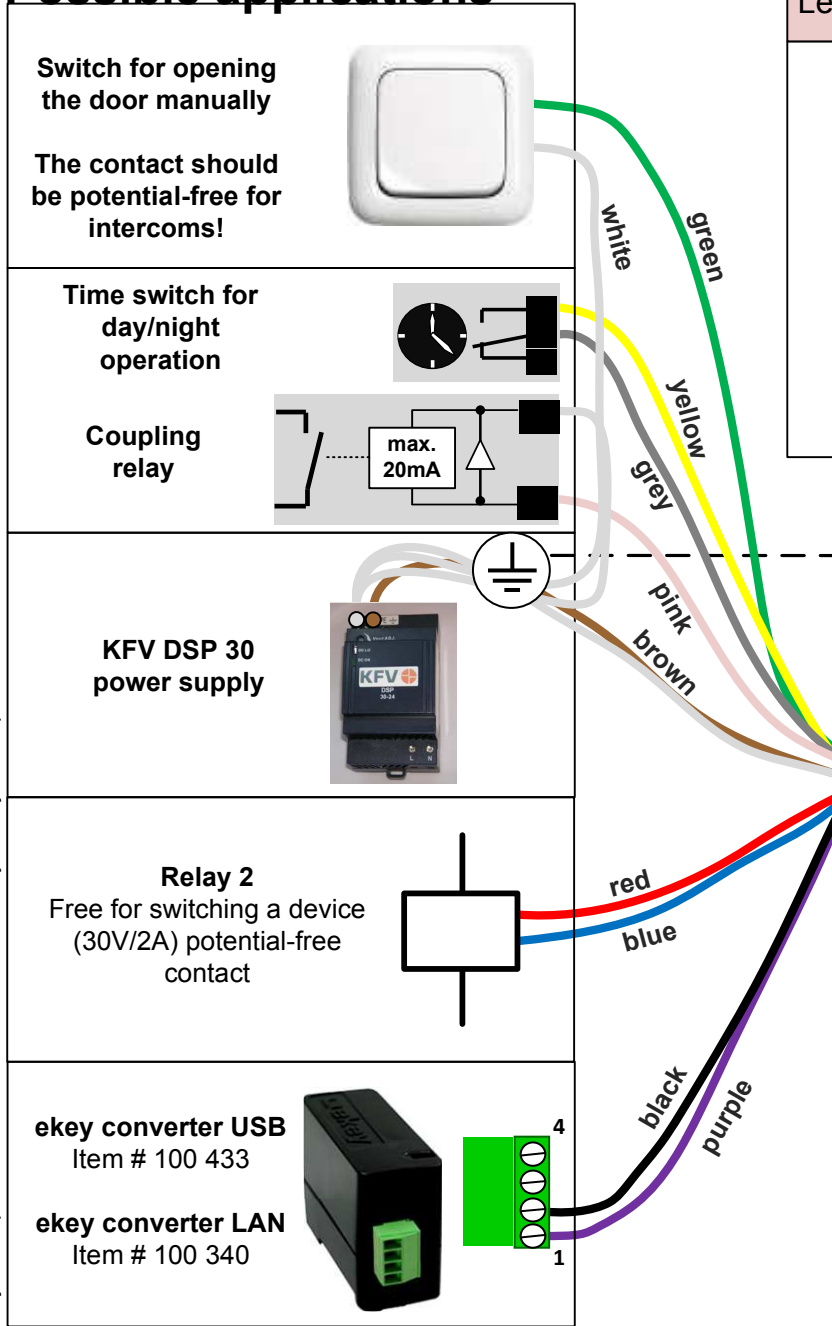
| ekey components list | | | |
|----------------------|----------------------------------|--|--------------|
| | ekey home finger scanner integra | | Cable type C |
| | ekey home control panel integra | | Cable type A |
| | eff eff cable transfer | | Cable type B |

| Legend KFV cable (6-core) | | |
|---------------------------|--|---------------------|
| yellow | | Day/night 2 (+) |
| green | | external (-) Gnd |
| brown | | (+) 24VDC |
| white | | opt. coupling relay |
| pink | | Day/night 1 |
| grey | | |

| Legend cable TYPE C (3-corex0.34) | | |
|-----------------------------------|--|------------|
| green | | (+) Switch |
| brown | | (-) Gnd |
| white | | (+) 24VDC |

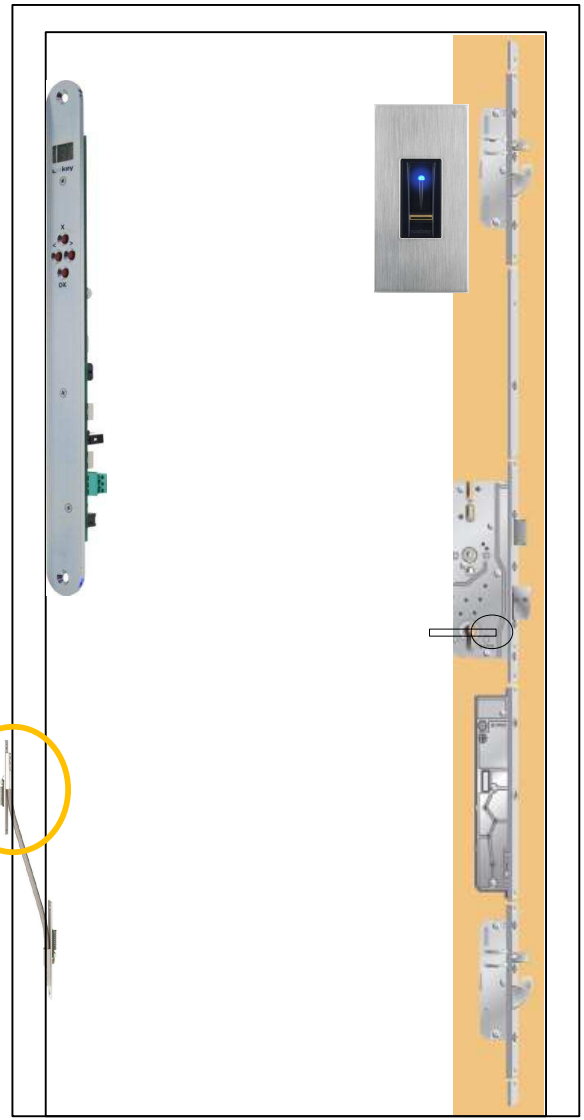
Possible applications

| Legend 10-core cable (10-corex0.25) | | |
|-------------------------------------|--|---------------------|
| grey | | Day/night 1 |
| yellow | | Day/night 2 |
| green | | (+) external |
| brown | | (-) Gnd |
| white | | (+) 24VDC |
| pink | | opt. coupling relay |
| red | | Relay 2 NO/NC |
| blue | | Relay 2 C |
| black | | RS485 (clamp 2) |
| purple | | RS485 (clamp 1) |



If the cable length is **greater than 10m**, then it is recommended to use a shielded cable e.g. type B (LiYCY)!

BEWARE!
Idle leads should be insulated separately!



KfV Genius B

Subject to optical and technical modifications, any liability for misprints excluded!